



Owner's manual



Thank you for choosing the Team Magic E4. The E4 includes a large selection of the important specialty parts when compared to the previous versions. Before you start building your new E4, we suggest you read through the instruction manual first. Be sure to check all assembly and performance tips before you start. We hope you enjoy the building processes.

General Building Tips:

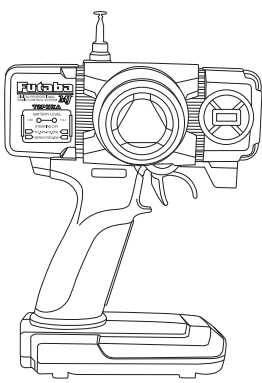
- ▶ Read the instruction manual before building.
- ▶ Clear a work area and try to work on a light color towel to avoid missing dropped parts.
- ▶ Don't over-tighten fasteners. Many assembly problems are caused by over-tightening screws or nuts. Don't use too large a grip. Please go slowly and feel the resistance build. Just snug it up.
- ▶ When it doesn't fit, please double check. If an assembly is not going together correctly, then either there really is a bad fit (e.g. a part is damaged or defective) or a mistake in assembly. Always re-read the instructions when there are any problems. If you cannot figure out what's wrong, always ask dealer, distributor or Team Magic. Don't use force beyond what the instructions call for.
- ▶ Using the right tools makes assembly much easier. The instructions below finely indicate you what tools to get to make things easier. We don't want to scare you by saying that all these tools are required, but you will have a easier time if you have them. Borrow them from a friend to check if necessary.
- ▶ The assembly is arranged so that you will open the bag and finish that bag before you go on to the next bag.

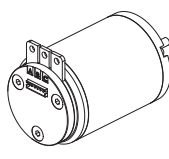
A Good Dealer Is Extremely Important!!

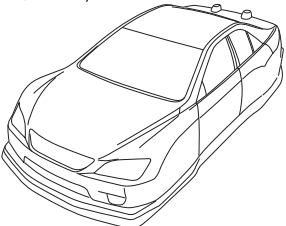
A good hobby dealer can help you with most assembly problems you might encounter. This is the main reason why you should buy your kits from a good dealer rather than from the cheapest dealer. Bring your problematic parts to the dealer and, most likely, you'll walk away soon thereafter with the problem solved. If you think that you really don't have the mechanical skills to complete the assembly, you may pay your dealer to finish the job for you.

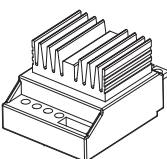
1 Additional Items Needed For Operation

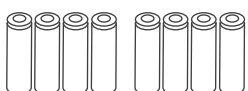
- 2 Channel Radio Set
(Please read the instruction manual provided with your radio system before using it)

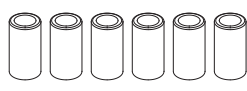

- Motor


- Body


- Speed Controller

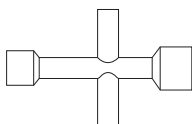

- AA-size Battery (For Transmitter)



- SC-size Battery

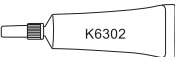


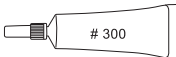
2 Tools Supplied

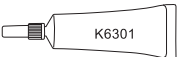
- Cross Wrench
(4, 5, 5.5 & 7mm)
#116043


- TM Black HC Flare Nut Wrench
(2,6,3,5,4,5&6mm) #117101


- Ball Diff Lube
K6302

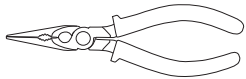

- #300 Shock Silicone Oil
300


- Black Grease
(for thrust bearing as well)
K6301

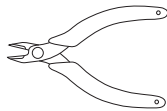


3 Extra Stuff Needed

- Needlenose Pliers



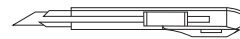
- Cutting Pliers (used to hold shock shafts)



- Tongue and Groove Pliers



- Hobby Knife (Warning!! This knife cuts nylon parts and fingers with equal ease. Be careful.)



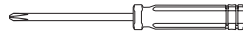
- TM Black HC Body Reamer (0~18mm) #117030



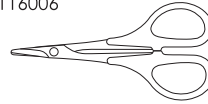
- Caliper



- Small Phillips Screwdriver (for pivoting body mount screws)



- Body Scissors (for body cutting) #116006

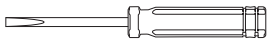


- Thread Lock

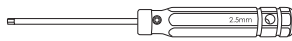


4 Helpful Items (suggested, but not required)

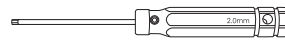
- TM Black HC Carb Tuning Slotted Screw Driver (4mm) #117023



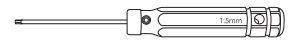
- TM Black HC Hex Wrench Metric Size 1.5mm #117002-1M



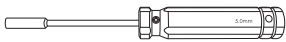
- TM Black HC Hex Wrench Metric Size 2.0mm #117002-2M



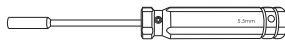
- TM Black HC Hex Wrench Metric Size 2.5mm #117002-3M



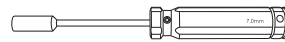
- TM Black HC Metric Ball Stud Nut Driver 5mm #117009



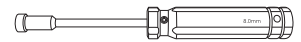
- TM Black HC Nut Driver 5.5mm (for 3mm nut) #117010



- TM Black HC Nut Driver 7mm (for 4mm nut) #117011



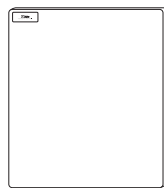
- TM Black HC Nut Driver 8mm (for glow plug & 5mm nut) #117012



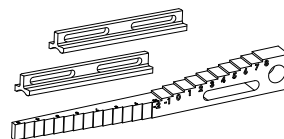
- TM Black HC Push Type Clutch Nut Driver 10mm #117013



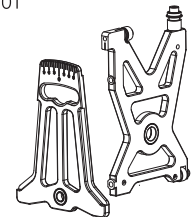
- TM 1/10 Setup Board (420x360mm) #116051



- Hard Coated Alum. Ride Height & Droop Gauge (w/support blocks) #116039-2

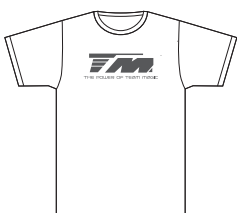


- 1/10 Touring Car Cambertoe Setup Gauge (for 4mm wheel shaft) #H7101



5 Cool Items (It would be good to have these items with your E4)

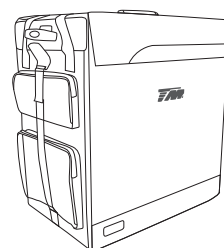
- TM T Shirt (Black) #119232



- TM Transmitter Bag (Black) #119206



- TM Formula 8 (F8) Car Bag #119220



6 Example (Learn how to read the manual here)

Open The Bags In Order

The assembly is arranged so that you will open and finish that bag before you go on to the next bag. Sometimes you will have parts remaining at the end. These will become part of the following step.

The instructions in each step are ordered in the order you complete them, so read the words and follow the drawings

L/R

Assembled kit

A

126306S
To obtain the stock car setup of 1mm of front droop, both grup screws should protrude from the suspension arm by 1mm. Check to make sure both sides are set the same.

503118

503117

503254

115024

5.0

The drawings below are 1:1 actual size drawings. Place your part on top of the drawing and compare it so it does not get confused with a similar part.

Which parts you will use for those steps

The tool needed

Item number, from bag number shown on the above right

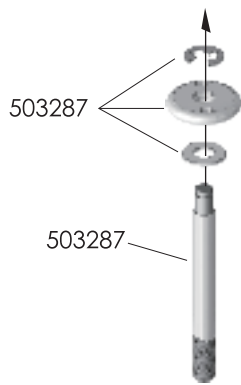
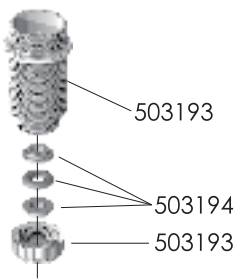
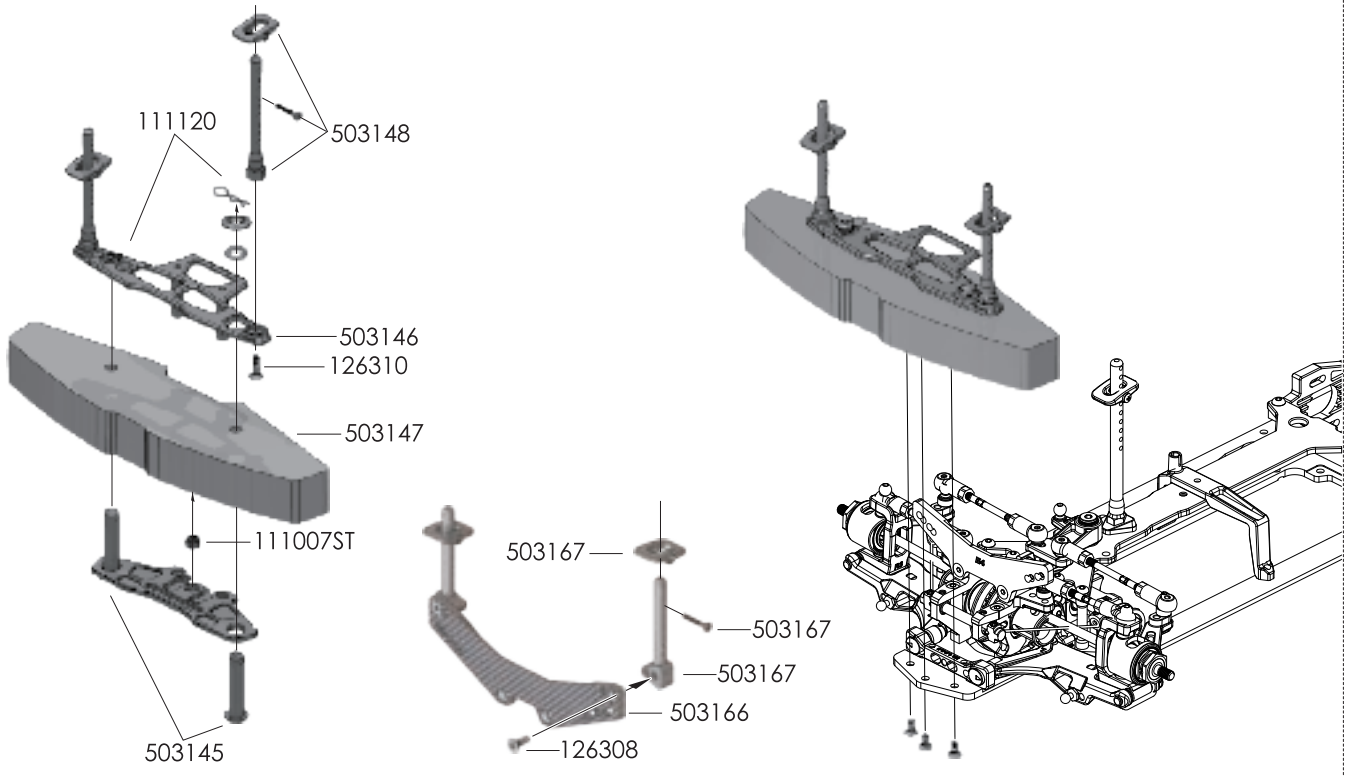
126306S 3x6mm Set Screw	115024 4mm Ball Saud & Ball Cup	503117 5x4mm Ball Stud

7 Icon (The tool and action needed)

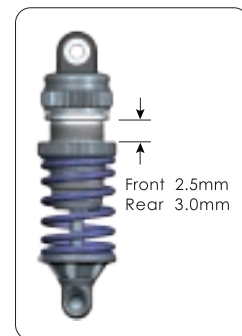
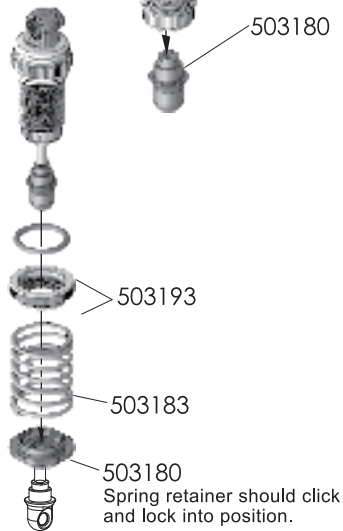
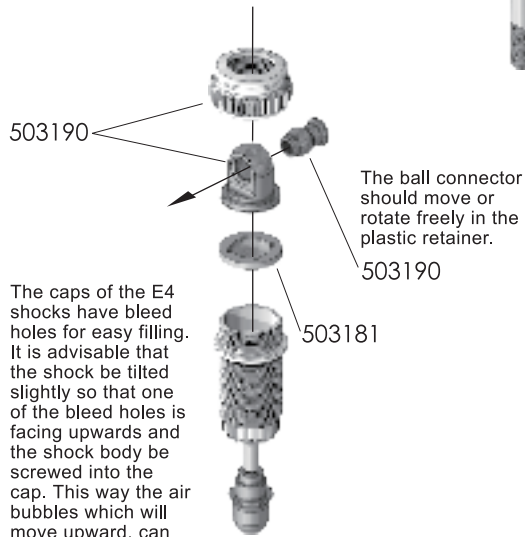
								X2	X4
Clockwise	Anti Clockwise	Thread Lock	Needlenose Pliers	Cutting Pliers	Tongue & Groove Pliers	#116055 Removal Tool	#116043 Cross Wrench		
								L/R	
1.5mm Hex Wrench	2.0mm Hex Wrench	2.5mm Hex Wrench	5.0mm Hex Wrench	5.0mm Nut Driver	5.5mm Nut Driver	10mm Nut Driver	+	L/R	

The manual that comes with the E4 is complete. However as development is a continuous process, up-to-date information about the E4 is provided on our web site: www.teammagic.com.tw

Here you will find the very latest information about the E4, including reports by team racers and other experts with the latest tips, FAQ, set-ups, etc. So make sure to visit Team Magic site frequently. The parts inside the kit may vary because of the new development. We reserve the right to change any specification without prior notice.



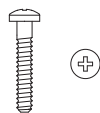
Fill with #300 shock silicone oil to the top of the shock body. Slowly move the shaft up and down several times. Let the oil settle and allow the air to escape. Refill with oil to the top of the body. Install the shock cap assembly onto the shock body assembly.



126308
3x8mm
Steel F.H. Screw



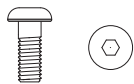
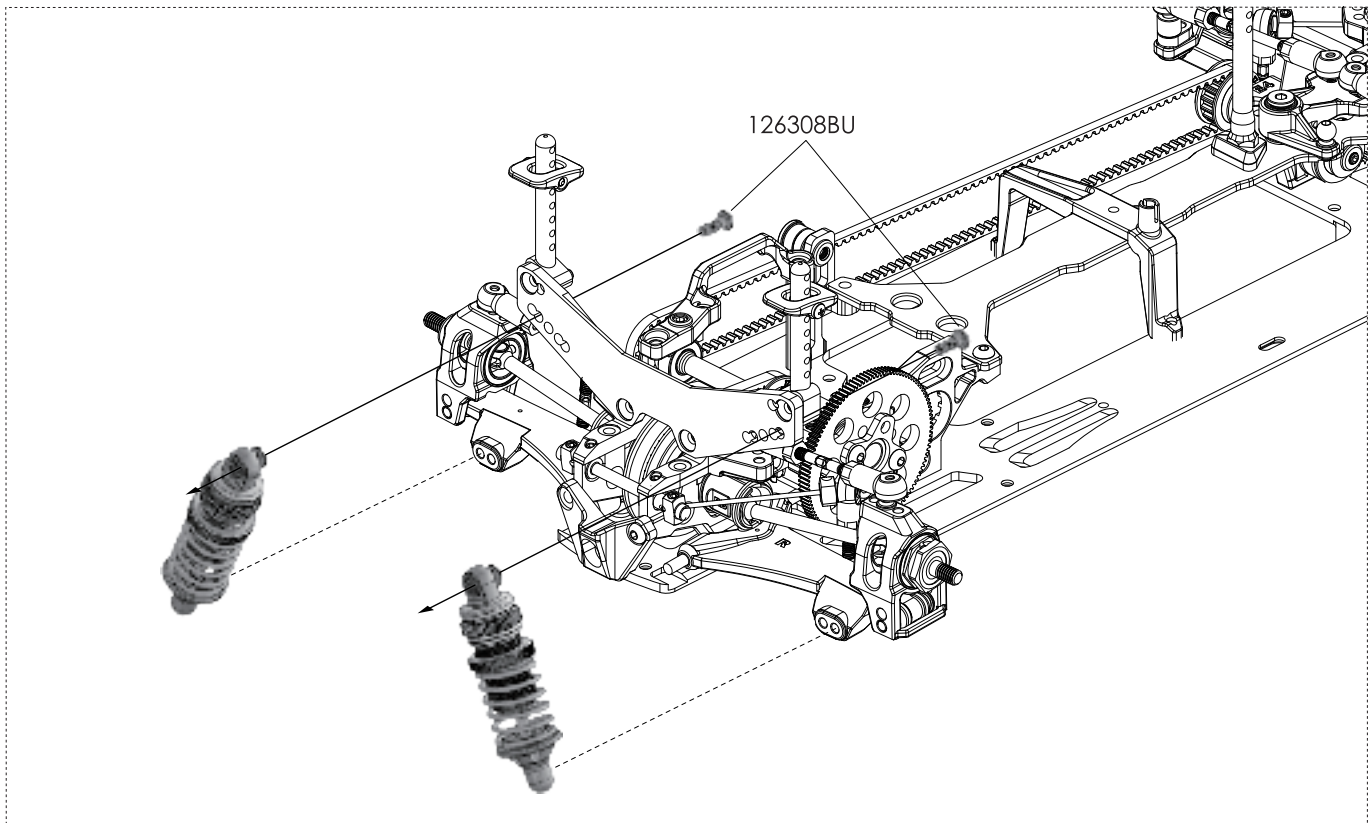
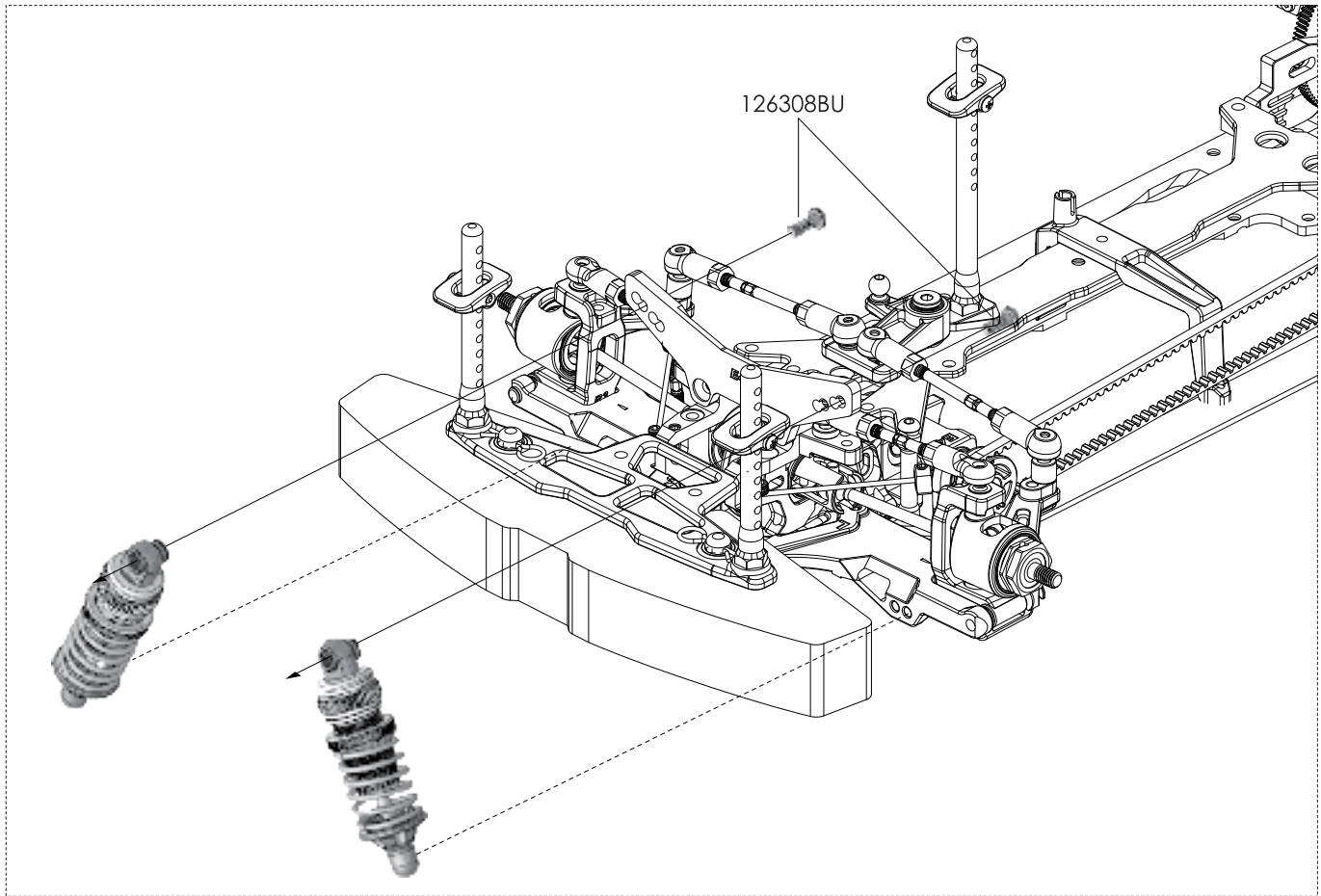
126310
3x10mm
Steel F.H. Screw



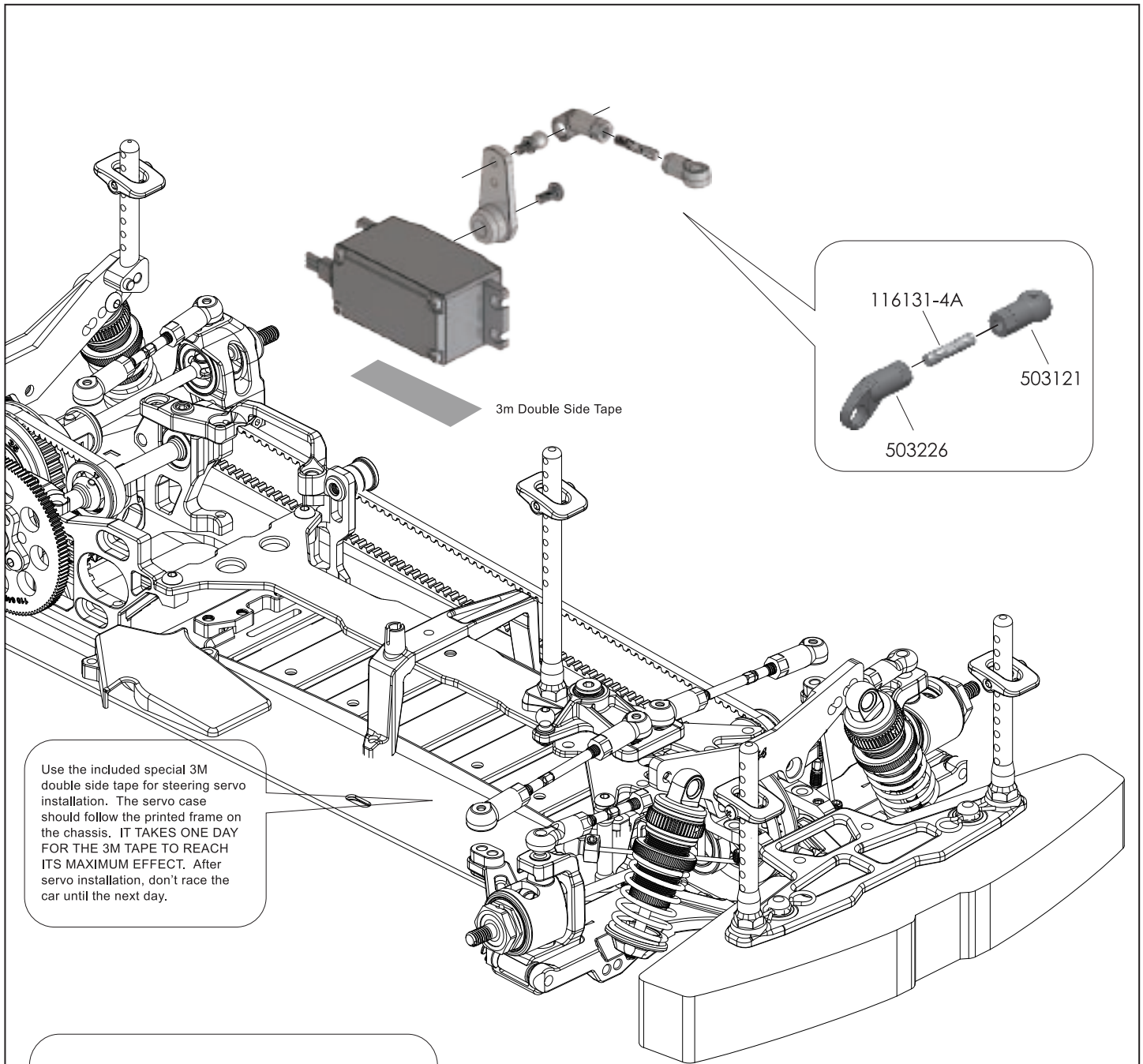
503148
2x12mm
Round Head Screw



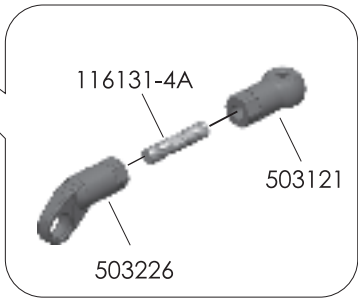
111120
R6 R-clip



126308BU
3x8mm
Steel Button Head Screw



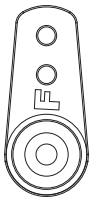
3m Double Side Tape



Use the included special 3M double side tape for steering servo installation. The servo case should follow the printed frame on the chassis. IT TAKES ONE DAY FOR THE 3M TAPE TO REACH ITS MAXIMUM EFFECT. After servo installation, don't race the car until the next day.

Important:

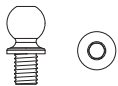
Select the correct part to match your servo brand.



Futaba
502268



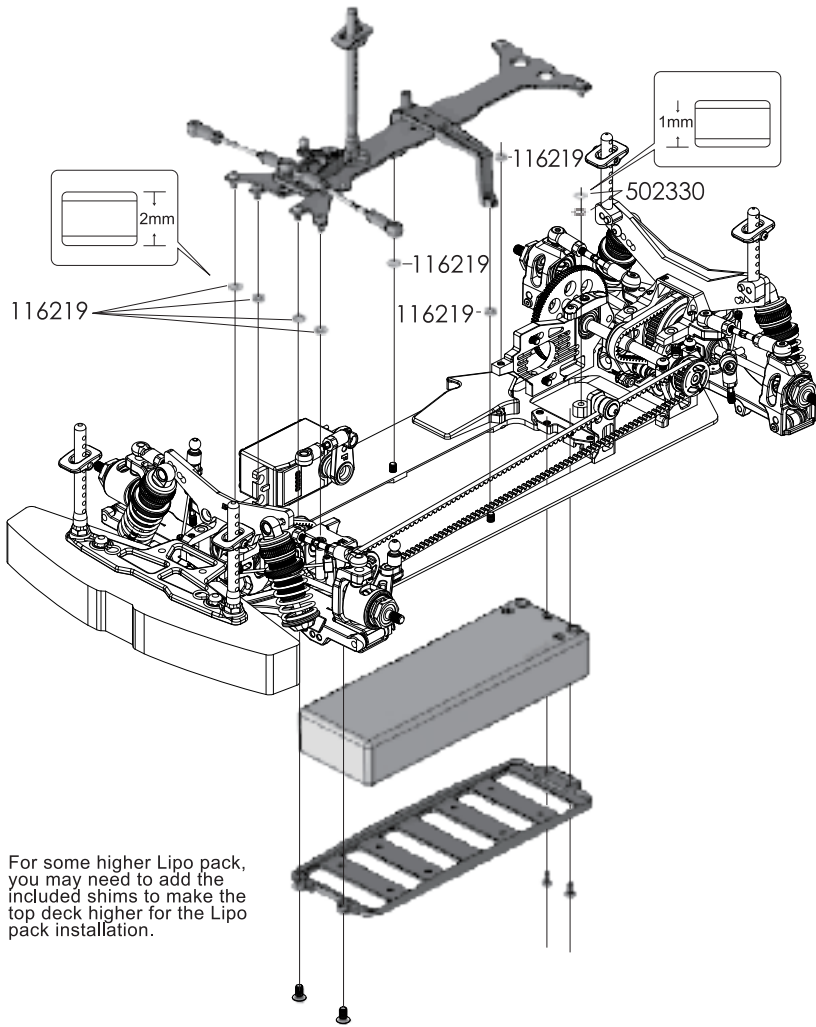
Ko / Sanwa & JR
502269



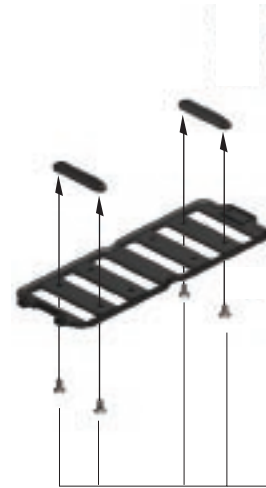
503117
5x4mm
Ball Stud



Only For Higher Lipo pack

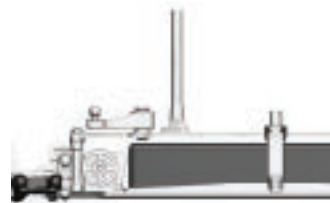


For some higher Lipo pack, you may need to add the included shims to make the top deck higher for the Lipo pack installation.

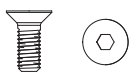
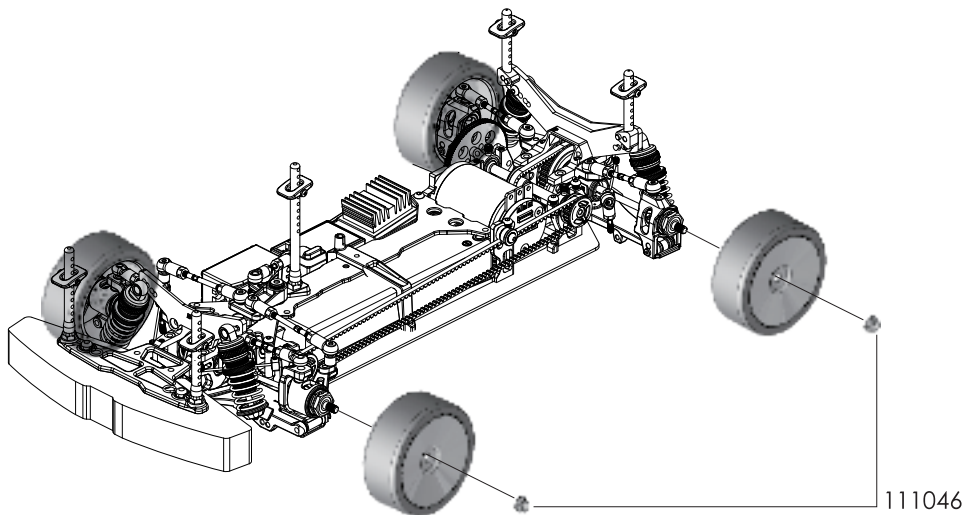


Outside holes should be used with a 6 cell battery pack. Inside holes should be used with a 4 cell battery pack. When a 5 cell battery pack is used, 1 battery spacer should be installed on the outside and one on the inside, depending on battery positioning.

126306HT



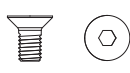
For some large diameter cell, you may need to cut out some part of the nylon mount to allow more space for the cell.



126308
3x8mm
Steel F.H. Screw



111046
4mm
Alum. Flanged Locknut



126306HT
High Torque
Steel FH Screw

SETUP SHEET

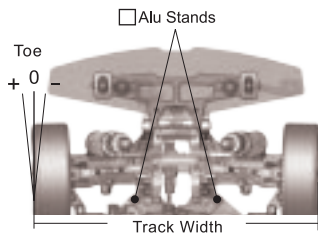


TRACK CONDITIONS

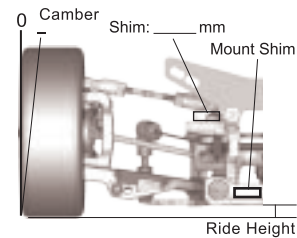
Surface: Smooth Med. Bumpy
 Size: Open Med. Tight
 Traction: High Med. Low

Track Temp/Air Temp: _____° / _____°
 Note: _____

FRONT SUSPENSION



Track Width: _____ mm
 Anti-Roll Bar: \varnothing _____ mm
 Toe Angle: _____°
 FF Hingle Pin Mount:
 1.0~2.0 1.5~2.5



FR Hingle Pin Mount
 Mount Shim: _____ mm

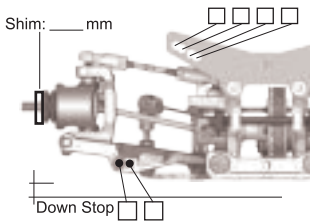
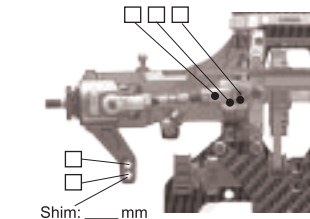
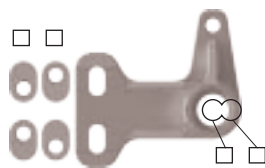
► FRONT DIFF

Ball Diff
 One Way
 Solid Axle
 Camber: _____°
 Ride Height: _____ mm
 Caster: _____°
 Down Stop: _____ mm

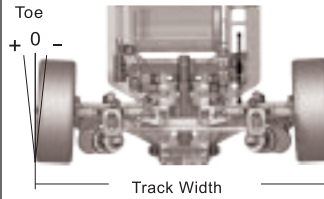
► STEERING SYSTEM

Single Dual

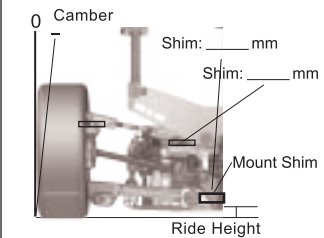
► ACKERMANN



REAR SUSPENSION



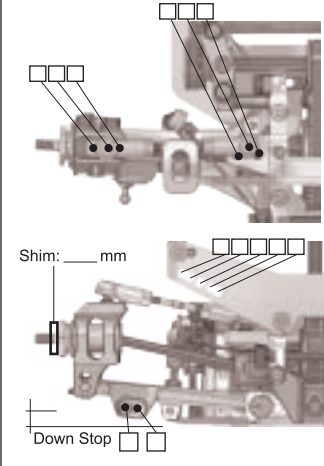
Track Width: _____ mm
 Anti-Roll Bar: \varnothing _____ mm
 Toe Angle: _____°
 RR Hingle Pin Mount:
 1.0~2.0 1.5~2.5



RF Hnglh Pin Mount

 Mount Shim: _____ mm
 Camber: _____°
 Ride Height: _____ mm
 Down Stop: _____ mm

► REAR WHEEL HUBS



F _____ mm. R _____ mm
 NL 0° ALU 1.5°

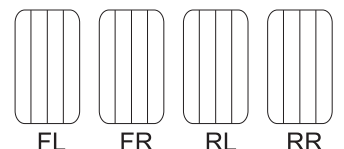
ELECTRONICS

Servo: _____ **► MOTOR**
 ESC: _____ Brand: _____
 Battery: _____ Turns: _____
 Timing: _____

TIRES

Insert: _____
 Wheel: _____
 Shore/deg: _____
 Compound: _____
 Tire Temp: _____

Trented Area



► BRUSHLESS

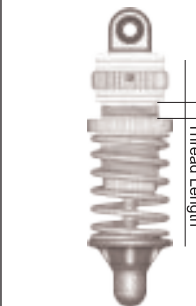
Punch: _____
 Initial Brake: _____
 Auto Brake: _____

► DRIVE RATIO

$$\frac{\text{SPUR}}{\text{PINION}} \times \frac{T}{T} \times 2.0588$$

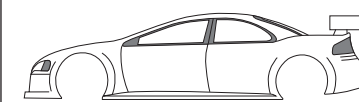
= _____

SHOCKS



Hole Size: F _____ R _____
 Holes In Piston: F _____ R _____
 Oil wt: F _____ R _____
 Springs: F _____ R _____
 Bladder Note: _____
 Thread Length: F _____ R _____

BODY



Body: _____
 Wing Height: _____
 Wing Position: _____

SETUP SHEET



TRACK CONDITIONS

Surface: Smooth Med. Bumpy
 Size: Open Med. Tight
 Traction: High Med. Low

Track Temp/Air Temp: _____° / _____°
 Note: _____

FRONT SUSPENSION

Track Width: 186 mm
 Anti-Roll Bar: \varnothing 1.2 mm
 Toe Angle: +1°
 FF Hinge Pin Mount:
 1.0~2.0 1.5~2.5

 Mount Shim: 0 mm
 FR Hinge Pin Mount
 Mount Shim: 0 mm

► FRONT DIFF
 Ball Diff
 One Way
 Solid Axle
 Camber: -1°
 Ride Height: 5 mm
 Caster: 3
 Down Stop: 3 mm

► STEERING SYSTEM
 Single Dual

► ACKERMANN

REAR SUSPENSION

Track Width: 186 mm
 Anti-Roll Bar: \varnothing 1.2 mm
 Toe Angle: -2.5°
 RR Hinge Pin Mount:
 1.0~2.0 1.5~2.5

 Mount Shim: 0 mm
 RF Hinge Pin Mount

 Mount Shim: 0 mm
 Camber: -1.5°
 Ride Height: 5.5 mm
 Down Stop: 3 mm

► REAR WHEEL HUBS

 F 0.9 mm. R 0.9 mm
 NL 0° ALU 1.5°

ELECTRONICS

Servo: _____
 ESC: _____
 Battery: _____

► MOTOR
 Brand: LRP
 Turns: 3.5R
 Timing: _____

TIRES

Insert: _____
 Wheel: _____
 Shore/deg: _____
 Compound: _____
 Tire Temp: _____

Trented Area

FL FR RL RR

► BRUSHLESS
 Punch: _____
 Initial Brake: _____
 Auto Brake: _____

► DRIVE RATIO

SPUR 116 T
 PINION 23 T X 2.0588
 = 10.3835

SHOCKS

Hole Size: F 1.2 R 1.2
 Holes In Piston: F 2 R 2
 Oil wt: F 500 R 500
 Springs: F STD R STD
 Bladder Note: _____
 Thread Length: F 3.8 R 3.3

BODY

Body: M6
 Wing Height: _____
 Wing Position: _____

E4RS

Parts List

1 E4RS Spare Parts	
Item No.	Item Description
503101	E4 Rear Belt Tensioner Set
503103	E4 Rear Lower Inner Hinge Pin (2)
503104	E4 Alum. Hinge Pin Ball (4)
503106	E4 Alum. Rear Motor Mount Linkage Post Set
503107	E4 Alum. Rear Left Bulkhead
503108	E4 Alum. Rear Right Bulkhead
503109	E4 Alum. Main Shaft Left Mount
503111	E4 Alum. Upper Deck Mount
503112	E4 Alum. Front Left Bulkhead
503113	E4 Alum. Front Right Bulkhead
503115	E4 Front Rear Hinge Pin Mount Set
503117	E4 5x4mm Ball Stud (6)
503118	E4 Front Lower Inner Hinge Pin (2)
503119	E4 Front Front Hinge Pin Mount
503120	E4 Hinge Pin Mont Nylon Ball Cap
503121	E4 Short Ball Cup (6)
503123	E4 Alum. Anti-Roll Bar Ball (4)
503124	E4 Steel Front Universal Joint (2)
503125	E4 Front Steering Block Set
503126	E4 Alum. 3.1x6.5x3mm Washer (6)
503127	E4 Steering Block 5x10mm Ball Stud (4)
503130	E4 Front Lower Outer Hinge Pin (2)
503134	E4 Alum. Anti-Roll Bar Mount
503135	E4 Anti-Roll Bar 1.2mm (4)
503137	E4 Front Carbon Shock Tower
503138	E4 Front Carbon Shock Tower
503139	E4 Front Carbon Shock Tower
503140	E4 Long Ball Cup (6)
503141	E4 Middle Shaft Mount
503144	E4 Pulley O-Ring 7x2mm (10)
503145	E4 Bumper Post Set
503146	E4 Bumper Mount
503147	E4 Foam Bumper
503148	E4 Front Body Post Set
503149	E4 Rear Lower Arm Set
503150	E4 Rear Bracket
503152	E4 Rear Hub Carrier (2)
503153	E4 Rear Lower Outer Hinge Pin (2)
503154	E4 Rear Hub Carrier Washer (4)
503155	E4 Ball Diff Pulley 35T
503156	E4 Ball Diff Steel Ball 2.5mm (12)
503159	E4 Ball Diff Bearing 3x8x2.5mm (2)
503160	E4 Ball Diff Hardware Set
503161	E4 Alum. Main Shaft
503164	E4 Spur Gear Holder
503166	E4 Carbon Rear Shock Tower
503167	E4 Rear Body Post Set
503169	E4 Main Shaft Upper Mount Set
503170	E4 Side Belt Tensioner Set
503172	E4 5th Body Post Set
503180	E4 Shock Spring Mount & Ball Cup (4)
503181	E4 Shock Bladder (4)
503183	E4 Shock Spring (2)
503190	E4 New Shock Cap Set (2)
503193	E4 New Hard Coated Alum. Shock Body (2)
503194	E4 Shock Body Hardware Set (2)
503196	E4 Lightweight Front Bulkhead Upper Mount
503197	E4 Lightweight 17T Side Pulley

Item No.	Item Description
503198	E4 New Alum. 7075 Middle Shaft
503199	E4 New Alum. 7075 Motor Mount
503203	E4 New Ball Diff Plate (2)
503205	E4 Rear Lightweight Ball Diff Outdrive Set
503206	E4RS Hinge Pin Ball(POM)(4)
503207	E4 New Upper Deck Stiffener Mount
503208	E4 Upper Deck Front Stiffener Post (2)
503210	E4 Single Bell Crank Steering System
503211	E4 New Upper Deck Mount
503213	E4 New Caster Block Ball Stud (4)
503214	E4 Caster Block Lower Screw (4)
503216	E4 Alum. 7075 Front/Rear Universal Joint (2)
503218	E4 Lightweight Rear Front Hinge Pin Mount
503219	E4 Speedo & Motor Vent Mount
503221	E4 Lightweight HD Battery Mount Set
503224	E4 Lightweight Rear Bulkhead Upper Mount
503226	E4 Special Servo Disc Ball Cup (2)
503227	E4 Alum. 3.1x6.5x5mm Washer (6)
503229	E4 Special Precision Spur Gear 110T
503231	E4 New 3mm Carbon Fiber Chassis
503232	E4 New 2mm Carbon Fiber Upper Deck
503234	E4 Front Solid Axle Set (Spool)
503235	E4 Lightweight Caster Block Set (3 degree)
503236	E4 Lightweight 17T Center Pulley
503254	E4J Front Lower Arm Set
503266	E4J Rear Lower Arm Set
503287	E4RS Shock Shaft & Piston Set (E-Clip)
503288	E4RS PU Front Belt S3Mx144x3mm
503289	E4RS PU Rear Belt S3Mx144x3.5mm
503290	E4RS PU Side Belt S3Mx459x3mm
111007ST	3mm Steel Locknut (10)
111046	4mm Alum. Flanged Lock Nut (Thin) (4)
111120	R6 R-clip (10)
115024	4mm Short Thread Ball Stud & Ball Cup (for 3mm rod) (5)
116202	E-clip 2.5 (10)
116206	2x10mm Pin (10)
116216	3x6.5x1mm Alum. Washer (6)
116219	3x6.5x2mm Alum.Washer(6)
126303NL	3x3mm Thread Lock Set Screw (6)
126303S	3x3mm Set Screw (6)
126306BU	3x6mm Steel Button Head Screw (6)
126306HT	3x6mm High Torque Steel FH Screw (6)
126306S	3x6mm Set Screw (6)
126308	3x8mm Steel F.H. Screw (6)
126308BU	3x8mm Steel Button Head Screw (6)
126308C	3x8mm Steel Cap Screw (6)
126308HT	3x8mm High Torque Steel FH Screw (6)
126310	3x10mm Steel F.H. Screw (6)
126403S	4x3mm Set Screw
150306	3x6x2.5mm Bearing (2)
150508	5x8x2.5mm Bearing (2)
150612	6x12x4mm Bearing (4)
150814	8x14x4mm Bearing (2)
151015	10x15x4mm Bearing (4)
151218	12x18x4mm Bearing (4)
116131-4A	3x14mm Alum. 7075 Adjustable Rod (2)
116133A	3x30mm Alum. 7075 Adjustable Rod (2)
116134A	3x40mm Alum. 7075 Adjustable Rod (2)
116221	2x9.5mm Pin (10)

Item No.	Item Description
150308TL	3x8mm Thrust Bearing Lite (1)
K6301	Black Grease (for thrust bearing as well, 4g)
K6302	Ball Diff Lube (4g)

2 Optional Parts

Item No.	Item Description
503116	E4 Front Lower Arm Set
503230	E4 Front Belt Tensioner Set
K1008	LX 1/10 Touring Car Shock Absorber Set (2)
K1009	Maz 190mm Touring Car Body (Clear Body)
K1009-2	K Factory Pre-Painted Maz 190mm Touring Car Body (E4JR style, base color needed)
K2101	E4 Alum. 7075 Top Deck Middle Mount
K2102	E4 Alum. 7075 Ball Bearing Type Anti-Roll Bar Set
K2103	E4 Alum. 7075 Middle Shaft Mount (E4/E4FS/E4RS)
K2104	E4 Alum. 7075 Rear Hub Carrier Set (Toe-in 1.5 degree)
K2105	E4 Alum. 7075 Front Rear Hinge Pin Mount Set
K2106	E4 Alum. 7075 Rear Rear Hinge Pin Mount (Toe-in 1 & 2)
K2107	E4 Anti-Roll Bar No. 1, 2 & 3 (2pcs/each)
K2108	E4 Anti-Roll Bar No. 4, 5 & 6 (2pcs/each)
K2109	E4 Carbon Upper Bumper Plate
K2110	E4 Alum. 7075 Steering Block Set
K2111	E4 ST Steel / Alum. Combo Universal Joint (2)
K2112	E4 TC Motor Fan Mount (w/fan)
K2113	E4 Alum. 7075 Caster Block Set (w/bearings, 6 degree)
K2114	E4 ZF Front Belt 3mm
K2115	E4 ZF Side Belt 3mm
K2116	E4 ZF Rear Belt 3.5mm
K2117	E4 Alum. 7075 Top Deck Middle Mount (FS/RS)
K2118	E4 Alum. 7075 Middle Shaft Mount (for all E4)
K2119	E4 Alum. Battery Mount (for 5 cell) (FS/RS)
K2120	E4 Alum. Battery Mount (for 6 cell) (FS/RS)
K5501-306	Aluminum 7075 Lightweight Button Head Screw (12) 3x6mm
K5501-308	Aluminum 7075 Lightweight Button Head Screw (12) 3x8mm
K5503-308	Aluminum 7075 Lightweight Flat Head Screw (12) 3x8mm
K5503-310	Aluminum 7075 Lightweight Flat Head Screw (12) 3x10mm
K7002B	K Factory 1/10 Lightweight Antenna Rod Mount Set (w/super flexible antenna rods 2pcs) Blue
K7002BG	K Factory 1/10 Lightweight Antenna Rod Mount Set (w/super flexible antenna rods 2pcs) Black Grey
K7002O	K Factory 1/10 Lightweight Antenna Rod Mount Set (w/super flexible antenna rods 2pcs) Orange
K7101	K Factory TC Motor Cooling Head & Thermal Pad
K7102	TC Motor Cooling Head & Fan Set (w/thermal pad)
K7111	K Factory TC Cooling Fan (25x25mm)

3 Tool Parts (Optional Parts)

Item No.	Item Description
116006	Curved Model Scissors
116025	Cross Wrench (7, 8, 10, 12 & 17mm)
116043	Cross Wrench (4, 5, 5.5 & 7mm)
116051	TM 1/10 Setup Board (420x360mm)
117002-1M	TM Black HC Hex Wrench Metric Size 1.5mm
117002-2M	TM Black HC Hex Wrench Metric Size 2.0mm
117002-3M	TM Black HC Hex Wrench Metric Size 2.5mm
117006	TM Black HC Pivot Ball Nut Hex Wrench 5mm
117009	TM Black HC Metric Ball Stud Nut Driver 5mm
117010	TM Black HC Nut Driver 5.5mm (for 3mm nut)
117011	TM Black HC Nut Driver 7mm (for 4mm nut)
117012	TM Black HC Nut Driver 8mm (for glow plug & 5mm nut)
117013	TM Black HC Push Type Clutch Nut Driver 10mm

117023	TM Black HC Carb Tuning Slotted Screw Driver (4mm)
117024	TM Black HC Phillips Screw Driver (4mm)
117028	TM Black HC Manifold Spring Tool
117030	TM Black HC Body Reamer (0~18mm)
119206	TM Transmitter Bag (Black)
119207	TM Starter Box Bag - Small (Black)
119212	TM Touring Car Bag (Black)
119213	TM Starter Box Bag - Large (Black)
H7101	1/10 Touring Car Cambertoe Setup Gauge (for 4mm wheel shaft)

4 Apparel (Optional Parts)

Item No.	Item Description
114064	Lightweight Futaba Transmitter Battery Pack 10.8 v 1100mah (AAA size)
116039-2	Hard Coated Alum. Ride Height & Droop Gauge (w/support blocks)
119226	TM Adjustable Partition Parts Box (smoke color 13x10x2.8cm)
119232	TM T Shirt (Black)
H7103	1/10 Touring Car Quick Setup System (for 4mm wheel shaft)
H8905	H.A.R.D. Magellan Series Transmitter Bag
H8921A	H.A.R.D. Magellan Series 1/10 Hauler Car Bag (w/ H8921-1 Storage Box)
H8921B	H.A.R.D. Magellan Series 1/10 Hauler Car Bag (w/H8921-2 Storage Box)
H8921-1	H.A.R.D. Storage Box (48.6 x 26 x 13cm)
H8921-2	H.A.R.D. Storage Box (48.6 x 26 x 8.7cm)
H9001	H.A.R.D. Tool Bag (10 Slots)
H9003	H.A.R.D. 1/10 Touring Car Setup System Bag
H9005	H.A.R.D. Transmitter Bag
H9010	H.A.R.D. Neck Strap
H9012	H.A.R.D. Cap
H9021	H.A.R.D. Cheng-Ho Series 1/10 Hauler Car Bag
H9031	H.A.R.D. Cheng-Ho Series 1/10 Touring Car Bag



Cautions !!

To prevent any serious personal injury or damage to property, please be responsible when operating this radio controlled car. Team Magic and its distributors have no control over damage resulting from shipping, improper construction or improper usage. Team Magic accepts no responsibility for damages resulting from the use of improper building equipment and operations. By the act of assembling or operating this product, the user accepts all liability. If the buyer is not prepared to accept this liability, then he/she should return this product in a new, unassembled and unused condition to the place of purchase.

- ▶ This is not a toy. It is a high speed r/c car for persons age 15 and older.
- ▶ Choose the right place to drive your r/c model
 - Don't run on streets or highways. This could cause serious accidents.
 - Don't run r/c cars near people or animals.
 - Don't run in the house. There is a high risk of fire.
 - Don't run nearby hospitals or schools. Loud noises may disturb others.
- ▶ Always inspect your model before operation
 - Always make sure that no one else is using the same frequency when you are using
 - Always make sure your transmitter and batteries are fully charged to avoid losing control of the model.

Based on continuous product development, the up-to-date specifications of the kit may vary. We reserve all rights to change any specification without prior notice.



Team Magic Model Industrial co.Ltd.
No.185-2, 38th Road,
Taichung industrial Park, Taichung, Taiwan 407
E-mail: service@teammagic.com.tw
Web: www.teammagic.com.tw
Tel: 886-4-23552606 Fax: 886-4-23552946